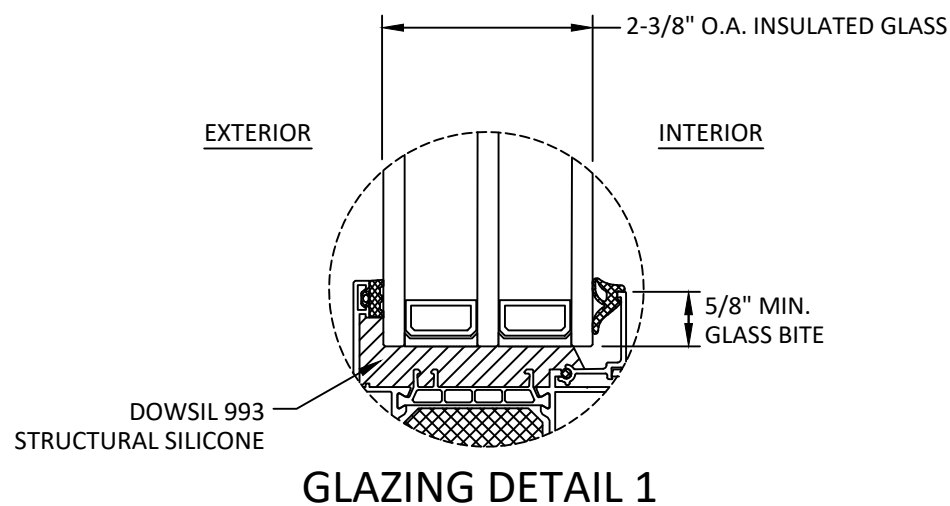


# DRUTEX S.A.

## MB-86N SI FIXED WINDOW (NON-HVHZ)(NON-IMPACT)

### GENERAL NOTES:

- THE PRODUCT SHOWN HEREIN IS DESIGNED AND MANUFACTURED TO COMPLY WITH THE CURRENT EDITION OF THE FLORIDA BUILDING CODE (FBC), **EXCLUDING** HVHZ AND HAS BEEN EVALUATED ACCORDING TO THE FOLLOWING:
  - AAMA/WDMA/CSA 101/I.S.2/A440-17
- ADEQUACY OF THE EXISTING STRUCTURAL CONCRETE/MASONRY, 2X FRAMING, AND METAL FRAMING AS A MAIN WIND FORCE RESISTING SYSTEM CAPABLE OF WITHSTANDING AND TRANSFERRING APPLIED PRODUCT LOADS TO THE FOUNDATION IS THE RESPONSIBILITY OF THE ENGINEER OR ARCHITECT OF RECORD FOR THE PROJECT OF INSTALLATION.
- 1X AND 2X BUCKS (WHEN USED) SHALL BE DESIGNED AND ANCHORED TO PROPERLY TRANSFER ALL LOADS TO THE STRUCTURE. BUCK DESIGN AND INSTALLATION IS THE RESPONSIBILITY OF THE ENGINEER OR ARCHITECT OF RECORD FOR THE PROJECT OF INSTALLATION.
- INSTALL INDIVIDUAL INSTALLATION ANCHORS WITHIN A TOLERANCE OF  $\pm 1/4$  INCH OF THE DEPICTED LOCATION IN THE ANCHOR LAYOUT DETAIL (I.E., WITHOUT CONSIDERATION OF TOLERANCES). TOLERANCES ARE NOT CUMULATIVE FROM ONE INSTALLATION ANCHOR TO THE NEXT.
- THE INSTALLATION DETAILS DESCRIBED HEREIN ARE GENERIC AND MAY NOT REFLECT ACTUAL CONDITIONS FOR A SPECIFIC SITE. IF SITE CONDITIONS CAUSE INSTALLATION TO DEVIATE FROM THE REQUIREMENTS DETAILED HEREIN, A LICENSED ENGINEER OR ARCHITECT SHALL PREPARE SITE SPECIFIC DOCUMENTS FOR USE WITH THIS DOCUMENT.
- APPROVED IMPACT PROTECTIVE SYSTEM **IS REQUIRED** ON THIS PRODUCT IN AREAS REQUIRING IMPACT RESISTANCE.
- WINDOW FRAME MATERIAL: ALUMINUM 6063-T5
- GLASS SHALL MEET THE REQUIREMENTS OF ASTM E1300 GLASS CHARTS. SEE SHEET 1 FOR GLAZING DETAIL.
- CUSTOM SIZES AVAILABLE UPON REQUEST. CUSTOM DESIGN PRESSURE WILL BE ASSIGNED EQUAL TO NEXT LARGER STANDARD SIZE.

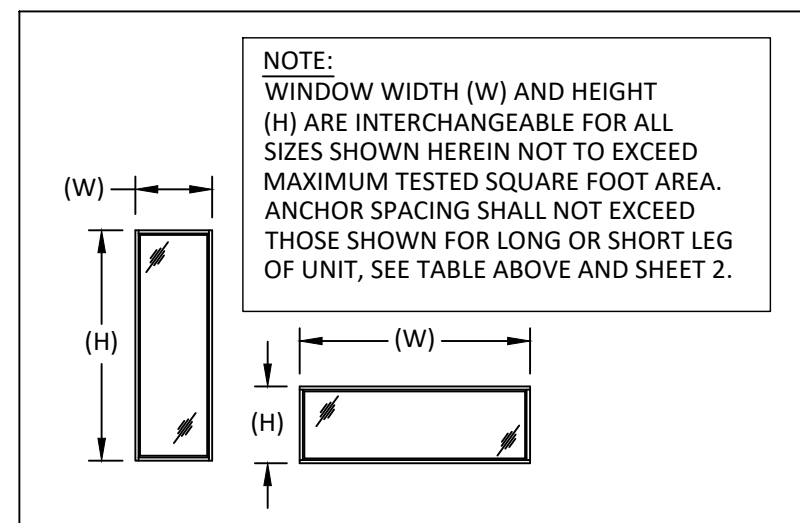


### GLAZING NOTES:

- GLASS TYPE SHALL COMPLY WITH ASTM E1300 REQUIREMENTS. PER THE FBC TEMPER AND SAFETY GLAZING REQUIREMENTS SHALL BE REVIEWED ON A SITE SPECIFIC BASIS.
- SETTING BLOCK DUROMETER HARDNESS OF 70-90 (SHORE A) AS REFERENCED IN FBC CHAPTER 24.
- SETTING BLOCKS TO BE LOCATED AT 1/4 SPAN LENGTH FOR GLASS WIDER THAN 36" AS PER FBC CHAPTER 24.
- D.L.O. AND DESIGN PRESSURES MAY NOT EXCEED MAX VALUES SHOWN HEREIN.

TABLE OF CONTENTS	
SHEET	SHEET DESCRIPTION
1	GENERAL NOTES AND GLAZING DETAIL
2	ELEVATION AND DESIGN PRESSURE TABLE
3	ANCHOR LAYOUT
4	VERTICAL SECTION
5	HORIZONTAL SECTION
6	ANCHOR DETAILS AND INSTALLATION NOTES

DESIGN PRESSURE RATING (PSF)				
CONFIGURATION	WIDTH (IN.)	HEIGHT (IN.)	DESIGN PRESSURE	MISSILE IMPACT RATING
O	SEE TABLE ON SHEET 2			NON-IMPACT



LEBORSKA 31, 77-100  
BYTOW, POLAND  
PH: +48-59-822-9101 FX: +48-59-822-9103

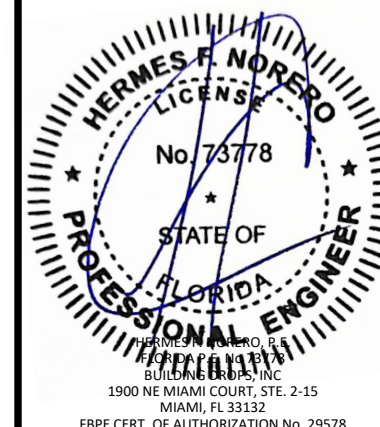
TITLE: MB-86N SI  
FIXED WINDOW  
(NON-HVHZ) (NON-IMPACT)  
GENERAL NOTES &  
GLAZING DETAIL

PREPARED BY:  
**BUILDING DROPS, INC.**  
1900 NE MIAMI COURT, STE. 2-15  
MIAMI, FL 33132  
PH: (954) 399-8478  
FAX: (954) 744-4738  
WEB: www.buildingdrops.com



REMARKS	BY	DATE

THE INSTALLATION DETAILS DESCRIBED HEREIN ARE GENERIC AND MAY NOT REFLECT ACTUAL CONDITIONS FOR A SPECIFIC SITE. IF SITE CONDITIONS CAUSE INSTALLATION TO DEVIATE FROM THE REQUIREMENTS DETAILED HEREIN, A LICENSED ENGINEER OR ARCHITECT SHALL PREPARE SITE SPECIFIC DOCUMENTS FOR USE WITH THIS DOCUMENT.



FL #: **FL46727**

DATE: **03.19.24**

DWG. BY: **FB** CHK. BY: **HFN**

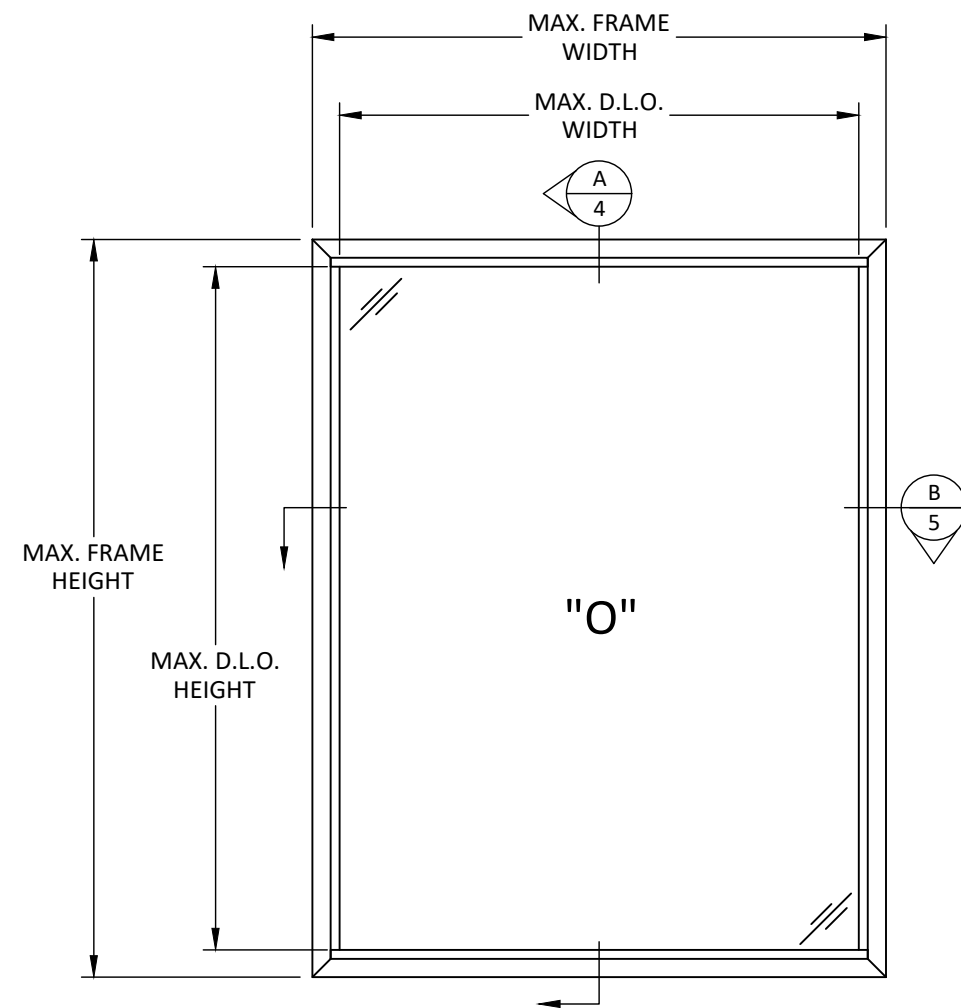
SCALE: **NTS**

DWG. #: **DRU047**

SHEET: **1**

OF 6

c:\Users\francisco\cbr\building\_drops, inc\building\_drops\_landing - common\projects\drutex, s.a\fb-23-0705.1 - fb\_submittal - mb79n.si.mb86n.si.aluminum\_systems\dwg\mb86n\mb86n - fixed\archive\dr047.dwg 5/1/2024 3:49 PM



**ELEVATION**

D.L.O. HEIGHT = FRAME HEIGHT - 5.25"  
D.L.O. WIDTH = FRAME WIDTH - 5.25"

DESIGN PRESSURE TABLE (PSF)				
NOMINAL DIMS.		POS. (+)	NEG. (-)	
FRAME WIDTH (IN.)	FRAME HEIGHT (IN.)			
22	40	70.0	70.0	
28		70.0	70.0	
34		70.0	70.0	
40		70.0	70.0	
22	46	70.0	70.0	
28		70.0	70.0	
34		70.0	70.0	
40		70.0	70.0	
46	46	70.0	70.0	
46		70.0	70.0	
22		52	70.0	70.0
28			70.0	70.0
34	70.0		70.0	
40	70.0		70.0	
46	52	70.0	70.0	
46		70.0	70.0	
22		58	70.0	70.0
28			70.0	70.0
34	70.0		70.0	
40	70.0		70.0	
46	58	70.0	70.0	
46		70.0	70.0	
52		70.0	70.0	
58		66.5	66.5	
22	64	70.0	70.0	
28		70.0	70.0	
34		70.0	70.0	
40		70.0	70.0	
46	64	70.0	70.0	
46		70.0	70.0	
52		70.0	70.0	
58		66.5	66.5	
64	64	60.3	60.3	
64		70.0	70.0	
22		70.875	70.0	70.0
28			70.0	70.0
34	70.0		70.0	
40	70.0		70.0	
46	70.875	70.0	70.0	
46		70.0	70.0	
52		70.0	70.0	
52		70.0	70.0	
55.125	70.875	70.0	70.0	
55.125		70.0	70.0	
55.125		70.0	70.0	
55.125		70.0	70.0	

DESIGN PRESSURE TABLE (PSF)				
NOMINAL DIMS.		POS. (+)	NEG. (-)	
FRAME WIDTH (IN.)	FRAME HEIGHT (IN.)			
22	76	70.0	70.0	
28		70.0	70.0	
34		70.0	70.0	
40		70.0	70.0	
46	76	70.0	70.0	
46		70.0	70.0	
22		82	70.0	70.0
28			70.0	70.0
34	70.0		70.0	
40	70.0		70.0	
46	82	70.0	70.0	
46		70.0	70.0	
22		88	70.0	70.0
28			70.0	70.0
34	70.0		70.0	
40	70.0		70.0	
46	88	70.0	70.0	
46		70.0	70.0	
22		94	70.0	70.0
28			70.0	70.0
34	70.0		70.0	
40	70.0		70.0	
46	94	70.0	70.0	
46		70.0	70.0	
22		100	70.0	70.0
28			70.0	70.0
34	70.0		70.0	
40	70.0		70.0	
46	100	70.0	70.0	
46		70.0	70.0	
22		106	70.0	70.0
28			70.0	70.0
34	70.0		70.0	
40	70.0		70.0	
46	106	70.0	70.0	
46		70.0	70.0	
22		112	70.0	70.0
28			70.0	70.0
34	70.0		70.0	
40	70.0		70.0	
46	112	70.0	70.0	
46		70.0	70.0	
22		118	70.0	70.0
28			70.0	70.0
34	70.0		70.0	
40	70.0		70.0	
46	118	70.0	70.0	
46		70.0	70.0	
22		124	70.0	70.0
28			70.0	70.0
34	70.0		70.0	
40	70.0		70.0	



LEBORSKA 31, 77-100  
BYTOW, POLAND  
PH: +48-59-822-9101 FX: +48-59-822-9103

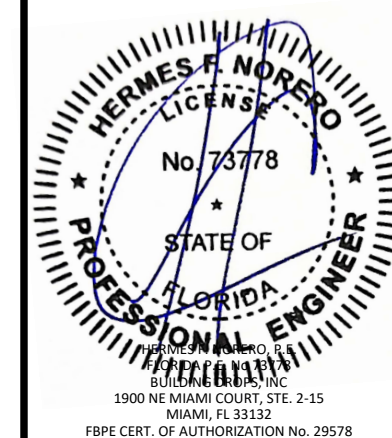
**TITLE:** MB-86N SI  
**FIXED WINDOW (NON-HVHZ) (NON-IMPACT) ELEVATION & DESIGN PRESSURE TABLE**

**PREPARED BY:** BUILDING DROPS, INC.  
1900 NE MIAMI COURT, STE. 2-15  
MIAMI, FL 33132  
PH: (954)399-8478  
FAX: (954)744-4738  
WEB: www.buildingdrops.com



REMARKS	BY	DATE

THE INSTALLATION DETAILS DESCRIBED HEREIN ARE GENERIC AND MAY NOT REFLECT ACTUAL CONDITIONS FOR A SPECIFIC SITE. IF SITE CONDITIONS CAUSE INSTALLATION TO DEVIATE FROM THE REQUIREMENTS DETAILED HEREIN, A LICENSED ENGINEER OR ARCHITECT SHALL PREPARE SITE SPECIFIC DOCUMENTS FOR USE WITH THIS DOCUMENT.



FL #:

**FL46727**

DATE: **03.19.24**

DWG. BY: **FB** CHK. BY: **HFN**

SCALE: **NTS**

DWG. #: **DRU047**

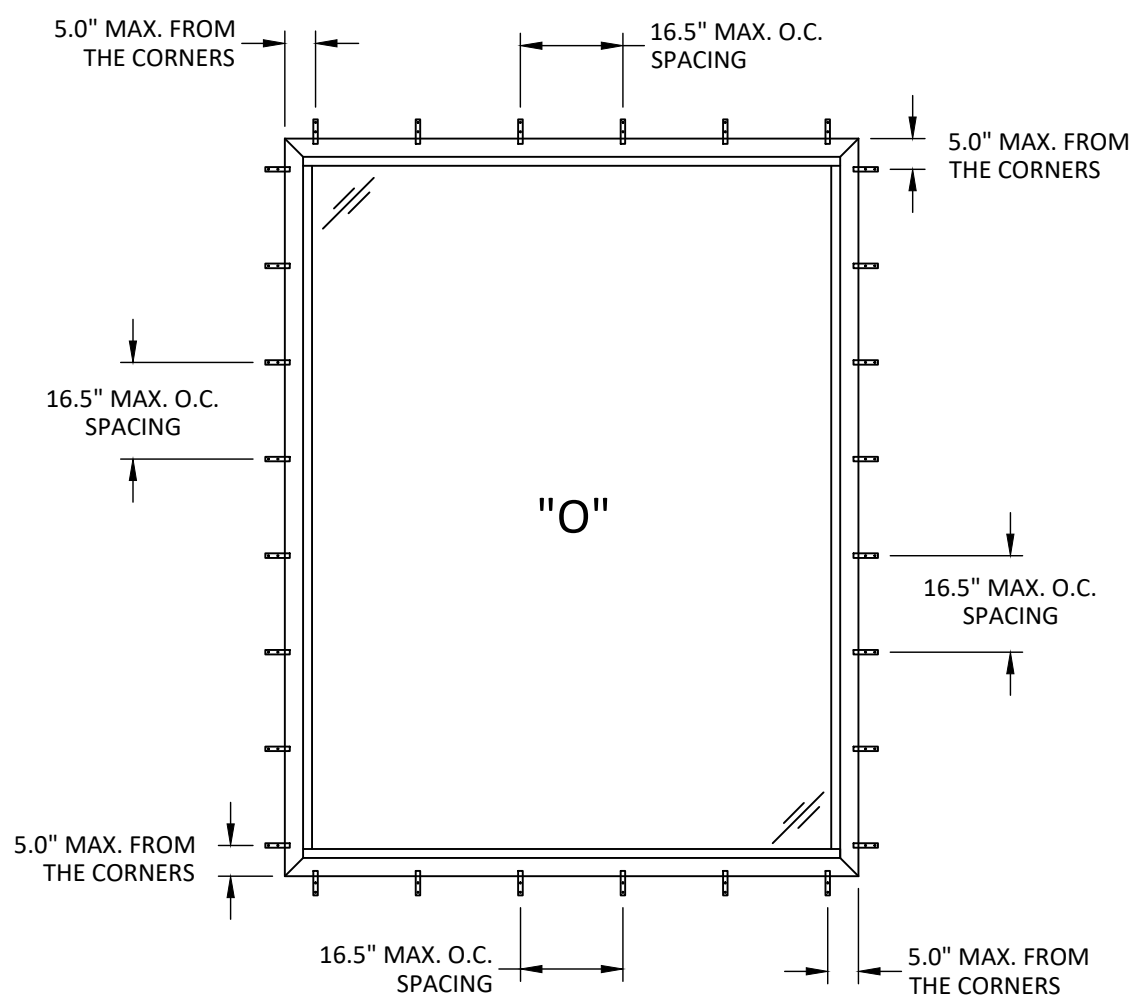
SHEET:

**2**

OF 6

c:\users\franciscobreno\building\_drops, inc\building\_drops\_landing - common\projects\drutex, s.a\fb-23-0705.1 - fb- submittal - mb79n.si.mb86n.si.aluminum\_systems\dwgs\mb86n\mb86n - fixed\archive\dr047.dwg 5/1/2024 3:49 PM

NOTE: TWO (2) INSTALLATION ANCHORS PER STRAP LOCATION.



**ANCHOR LAYOUT**  
STRAP INSTALLATION



LEBORSKA 31, 77-100  
BYTOW, POLAND  
PH: +48-59-822-9101 FX: +48-59-822-9103

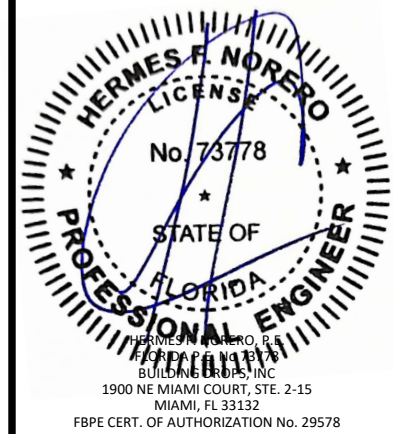
TITLE: MB-86N SI  
FIXED WINDOW  
(NON-HVHZ) (NON-IMPACT)  
ANCHOR LAYOUT

PREPARED BY:  
**BUILDING DROPS, INC.**  
1900 NE MIAMI COURT, STE. 2-15  
MIAMI, FL 33132  
PH: (954)399-8478  
FAX: (954)744-4738  
WEB: www.buildingdrops.com



REMARKS	BY	DATE

THE INSTALLATION DETAILS DESCRIBED HEREIN ARE GENERIC AND MAY NOT REFLECT ACTUAL CONDITIONS FOR A SPECIFIC SITE. IF SITE CONDITIONS CAUSE INSTALLATION TO DEVIATE FROM THE REQUIREMENTS DETAILED HEREIN, A LICENSED ENGINEER OR ARCHITECT SHALL PREPARE SITE SPECIFIC DOCUMENTS FOR USE WITH THIS DOCUMENT.



FL #: **FL46727**

DATE: **03.19.24**

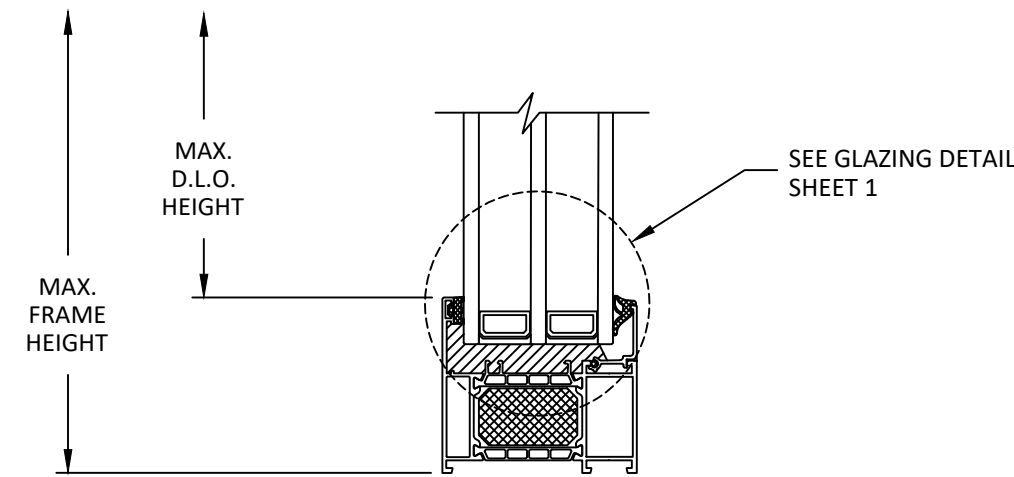
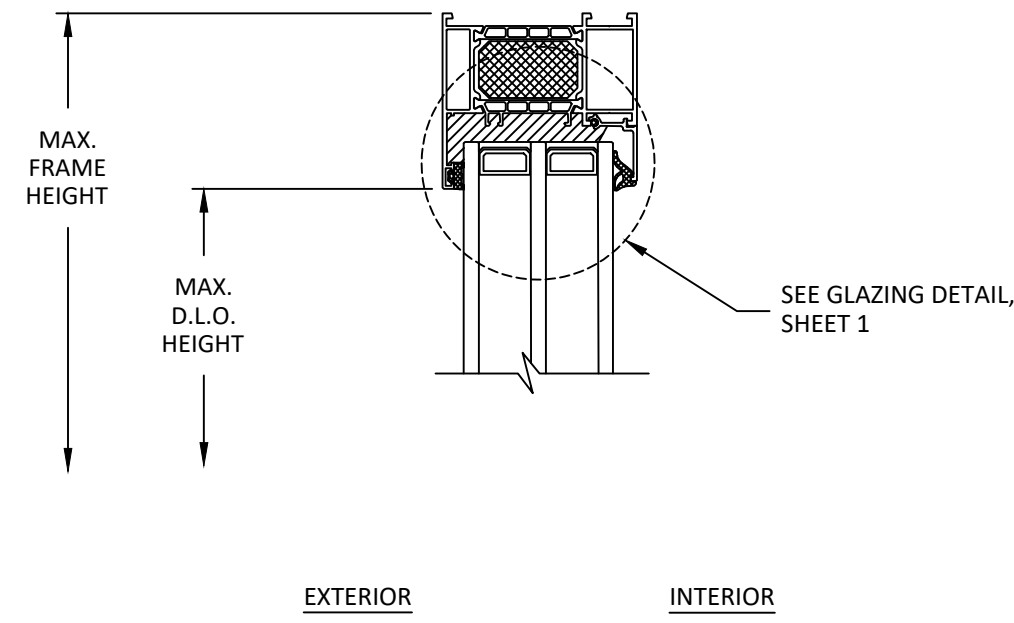
DWG. BY: **FB**      CHK. BY: **HFN**

SCALE: **NTS**

DWG. #: **DRU047**

SHEET:  
**3**  
OF 6

c:\users\franciscobrceno\building\_drops, inc\building\_drops\_landing - common\projects\drutex, s.a\fb-23-0705.1 - fb- submittal - mb79n.si.mb86n.si.aluminum\_systems\dwgs\mb86n\mb86n - fixed\archive\dr047.dwg 5/1/2024 3:49 PM



**A**  
**4** VERTICAL SECTION



LEBORSKA 31, 77-100  
BYTOW, POLAND  
PH: +48-59-822-9101 FX: +48-59-822-9103

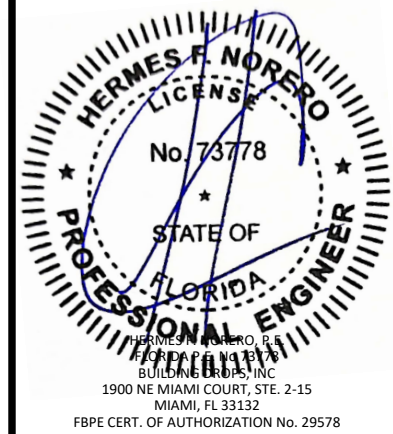
TITLE: MB-86N SI  
FIXED WINDOW  
(NON-HVHZ) (NON-IMPACT)  
VERTICAL SECTION

PREPARED BY:  
**BUILDING DROPS, INC.**  
1900 NE MIAMI COURT, STE. 2-15  
MIAMI, FL 33132  
PH: (954) 399-8478  
FAX: (954) 744-4738  
WEB: www.buildingdrops.com



REMARKS	BY	DATE

THE INSTALLATION DETAILS DESCRIBED HEREIN ARE GENERIC AND MAY NOT REFLECT ACTUAL CONDITIONS FOR A SPECIFIC SITE. IF SITE CONDITIONS CAUSE INSTALLATION TO DEVIATE FROM THE REQUIREMENTS DETAILED HEREIN, A LICENSED ENGINEER OR ARCHITECT SHALL PREPARE SITE SPECIFIC DOCUMENTS FOR USE WITH THIS DOCUMENT.



HERMES F. NORERO, R.  
1900 NE MIAMI COURT, STE. 2-15  
MIAMI, FL 33132  
FBPE CERT. OF AUTHORIZATION No. 29578

FL #: **FL46727**

DATE: **03.19.24**

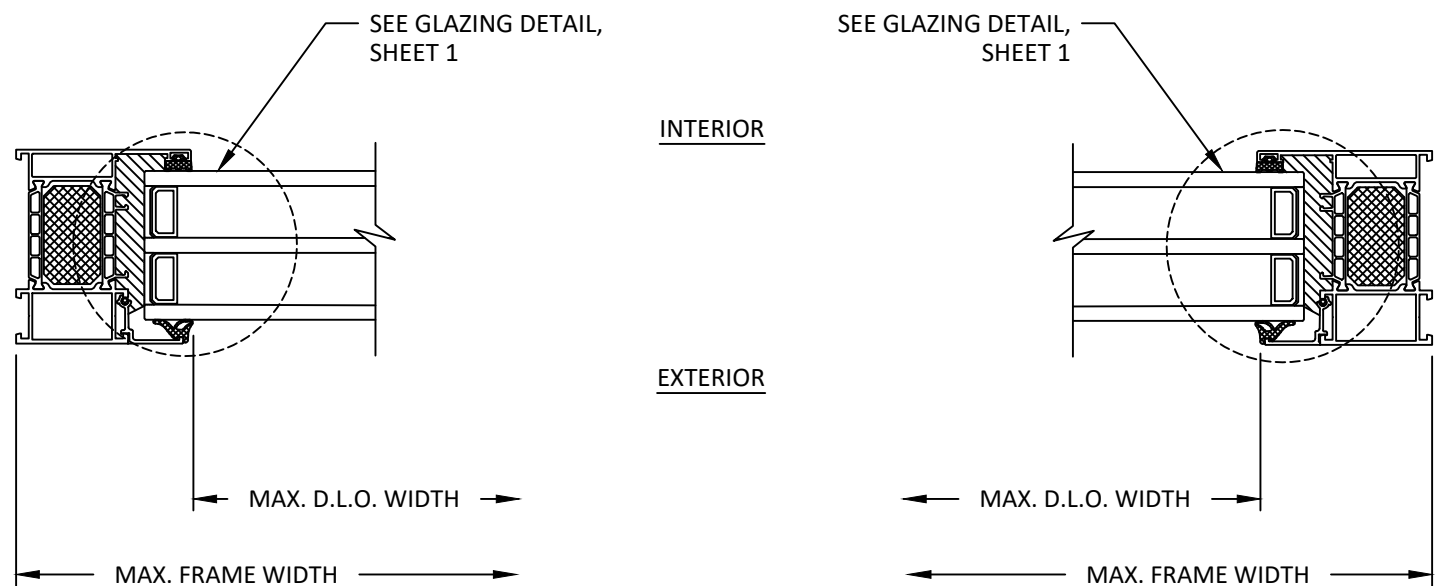
DWG. BY: **FB**      CHK. BY: **HFN**

SCALE: **NTS**

DWG. #: **DRU047**

SHEET:  
**4**  
OF 6

c:\users\franciscobreno\building\_drops, inc\building\_drops\_landing - common\projects\drutex, s.a\fb-23-0705.1 - fb- submittal - mb79n.si.mb86n.si.aluminum\_systems\dwgs\mb86n\mb86n - fixed\archive\drux047.dwg 5/1/2024 3:49 PM



**B**  
**5** HORIZONTAL SECTION



LEBORSKA 31, 77-100  
BYTOW, POLAND  
PH: +48-59-822-9101 FX: +48-59-822-9103

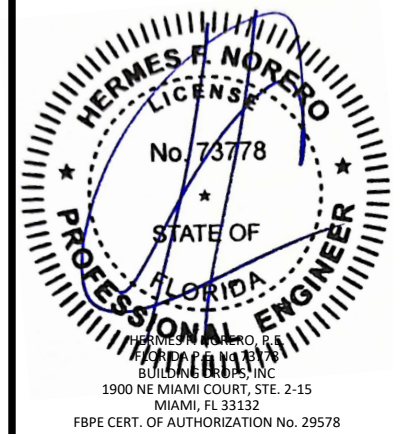
TITLE: MB-86N SI  
FIXED WINDOW  
(NON-HVHZ) (NON-IMPACT)  
HORIZONTAL SECTION

PREPARED BY:  
**BUILDING DROPS, INC.**  
1900 NE MIAMI COURT, STE. 2-15  
MIAMI, FL 33132  
PH: (954) 399-8478  
FAX: (954) 744-4738  
WEB: www.buildingdrops.com



REMARKS	BY	DATE

THE INSTALLATION DETAILS DESCRIBED HEREIN ARE GENERIC AND MAY NOT REFLECT ACTUAL CONDITIONS FOR A SPECIFIC SITE. IF SITE CONDITIONS CAUSE INSTALLATION TO DEVIATE FROM THE REQUIREMENTS DETAILED HEREIN, A LICENSED ENGINEER OR ARCHITECT SHALL PREPARE SITE SPECIFIC DOCUMENTS FOR USE WITH THIS DOCUMENT.



FL #: **FL46727**

DATE: **03.19.24**

DWG. BY: **FB**      CHK. BY: **HFN**

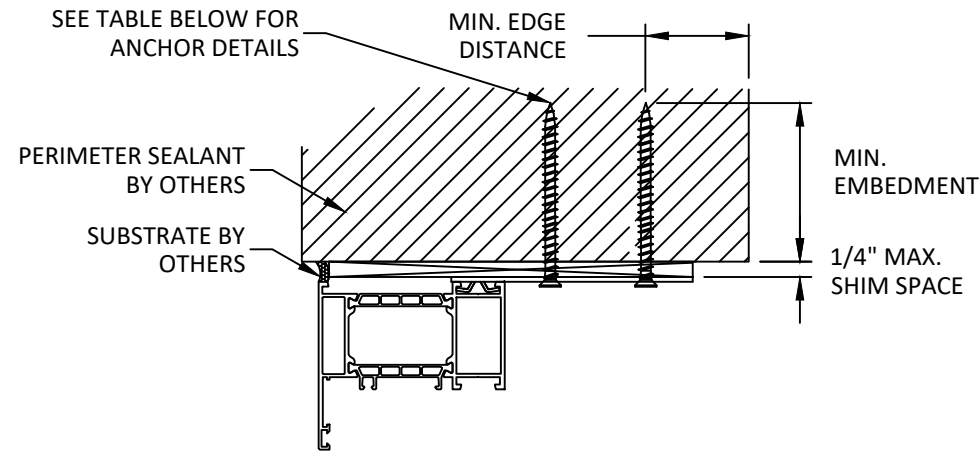
SCALE: **NTS**

DWG. #: **DRU047**

SHEET:  
**5**  
OF 6

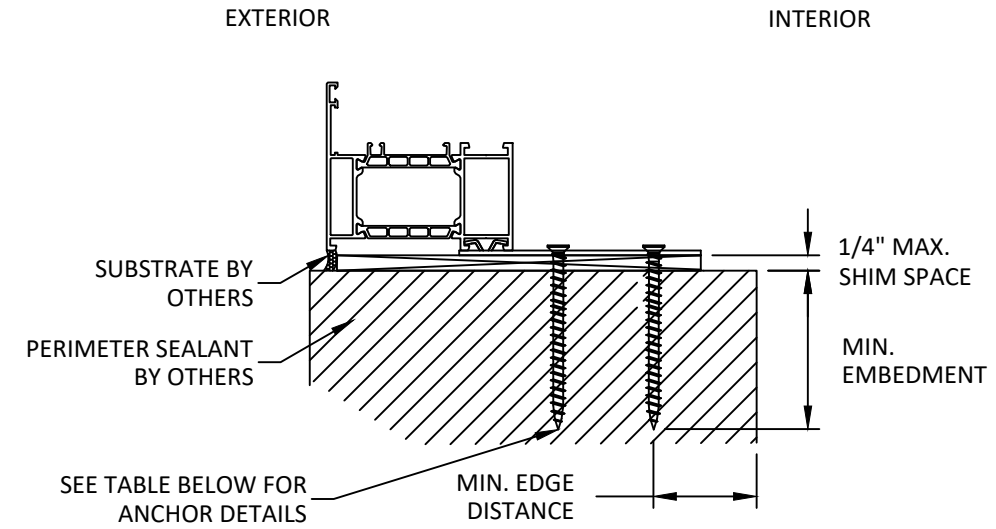


5/1/2024 3:49 PM  
c:\users\franciscobreno\building\_drops, inc\building\_drops, inc\projects\drutex, s.a\dr-23-0705.1 - fbc\_submittal - mb79n\_si\_mbb6n\_si\_aluminum\_systems\dwgs\mb86n\mb86n - fixed\archive\dr047.dwg



**A**  
**6**  
**VERTICAL SECTION**  
HEAD - STRAP

NOTE: JAMB SIMILAR



**B**  
**6**  
**VERTICAL SECTION**  
SILL - STRAP

NOTE: JAMB SIMILAR

**INSTALLATION NOTES:**

- ONE (1) INSTALLATION ANCHOR IS REQUIRED AT EACH ANCHOR LOCATION SHOWN, UNLESS OTHERWISE STATED ON SHEET 3.
- INSTALL INDIVIDUAL INSTALLATION ANCHORS WITHIN A TOLERANCE OF ±1/2 INCH THE DEPICTED LOCATION & SPACING IN THE ANCHOR LAYOUT DETAILS (I.E., WITHOUT CONSIDERATION OF TOLERANCES). TOLERANCES ARE NOT CUMULATIVE FROM ONE INSTALLATION ANCHOR TO THE NEXT.
- SHIM AS REQUIRED AT EACH INSTALLATION ANCHOR WITH LOAD BEARING SHIM(S). MAXIMUM ALLOWABLE SHIM STACK TO BE 1/4 INCH. SHIM WHERE SPACE OF 1/16 INCH OR GREATER OCCURS. SHIM(S) SHALL BE CONSTRUCTED OF HIGH DENSITY PLASTIC OR BETTER.
- MINIMUM EMBEDMENT AND EDGE DISTANCE EXCLUDE WALL FINISHES, INCLUDING BUT NOT LIMITED TO STUCCO, FOAM, BRICK VENEER, AND SIDING.
- INSTALLATION ANCHORS AND ASSOCIATED HARDWARE MUST BE MADE OF CORROSION RESISTANT MATERIAL OR HAVE A CORROSION RESISTANT COATING.
- FOR MASONRY OR CONCRETE OPENINGS, A 1X WOOD BUCK MAY BE USED (OPTIONAL) AS LONG AS THE MINIMUM EMBEDMENT AND EDGE DISTANCE REQUIREMENTS ARE STILL MET WITHIN THE CORRESPONDING HOST SUBSTRATE. SEE GENERAL NOTE #3 ON SHEET 1 FOR MORE INFORMATION.
- FOR HOLLOW BLOCK AND GROUT FILLED BLOCK, DO NOT INSTALL INSTALLATION ANCHORS INTO MORTAR JOINTS. EDGE DISTANCE IS MEASURED FROM FREE EDGE OF BLOCK OR EDGE OF MORTAR JOINT INTO FACE SHELL OF BLOCK.
- INSTALLATION ANCHORS SHALL BE INSTALLED IN ACCORDANCE WITH ANCHOR MANUFACTURER'S INSTALLATION INSTRUCTIONS, AND ANCHORS SHALL NOT BE USED IN SUBSTRATES WITH STRENGTHS LESS THAN THE MINIMUM STRENGTH SPECIFIED BY THE ANCHOR MANUFACTURER.

ANCHOR SCHEDULE				
METHOD	SUBSTRATE	ANCHOR TYPE	MIN. EMBEDMENT	MIN. EDGE DISTANCE
STRAP	WOOD: MIN. SG = 0.55	#8 WOOD SCREW	1.50"	0.75"
	METAL: 18 GAUGE STEEL, MIN. Fy = 33KSI ALUMINUM: 1/8" MIN., 6063-T5	#8 SELF-DRILLING SCREW	3 THREADS MIN. PENETRATION BEYOND STRUCTURE	0.50"
	CONCRETE: f'c=3000PSI	3/16" ITW TAPCON	1.25"	2.00"
	MASONRY: CMU per ASTM C90 MIN. 2000 PSI	3/16" ITW TAPCON	1.00"	2.00"



LEBORSKA 31, 77-100  
BYTOW, POLAND  
PH: +48-59-822-9101 FX: +48-59-822-9103

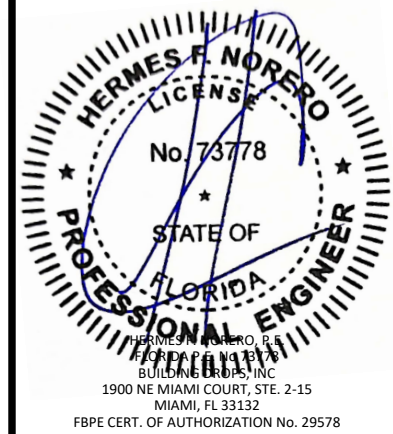
TITLE: MB-86N SI  
FIXED WINDOW  
(NON-HVHZ) (NON-IMPACT)  
ANCHOR DETAILS &  
INSTALLATION NOTES

PREPARED BY:  
**BUILDING DROPS, INC.**  
1900 NE MIAMI COURT, STE. 2-15  
MIAMI, FL 33132  
PH: (954)399-8478  
FAX: (954)744-4738  
WEB: www.buildingdrops.com



REMARKS	BY	DATE

THE INSTALLATION DETAILS DESCRIBED HEREIN ARE GENERIC AND MAY NOT REFLECT ACTUAL CONDITIONS FOR A SPECIFIC SITE. IF SITE CONDITIONS CAUSE INSTALLATION TO DEVIATE FROM THE REQUIREMENTS DETAILED HEREIN, A LICENSED ENGINEER OR ARCHITECT SHALL PREPARE SITE SPECIFIC DOCUMENTS FOR USE WITH THIS DOCUMENT.



FL #: **FL46727**

DATE: **03.19.24**

DWG. BY: **FB**      CHK. BY: **HFN**

SCALE: **NTS**

DWG. #: **DRU047**

SHEET: **6** OF 6